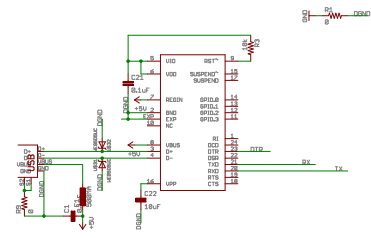
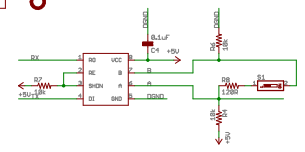
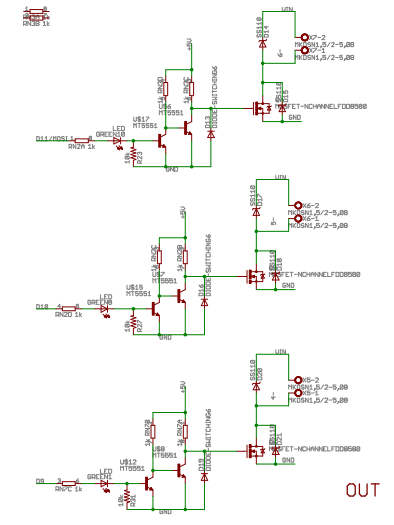
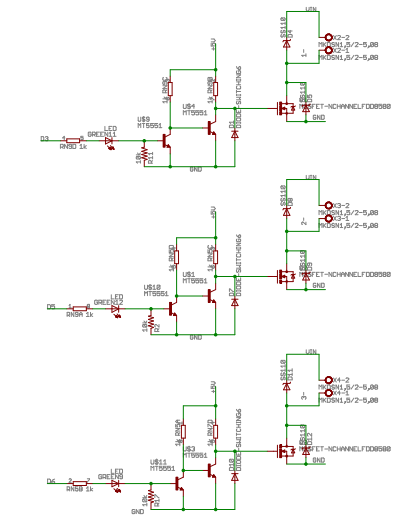
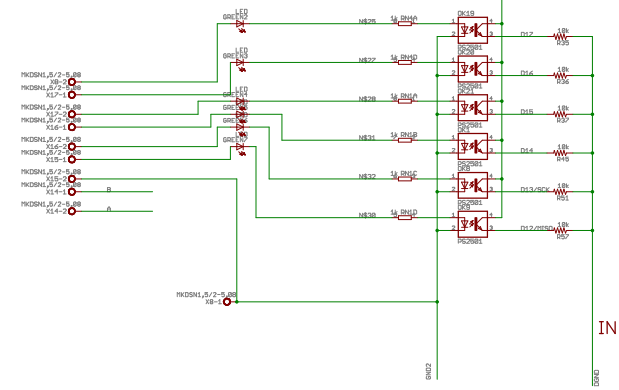


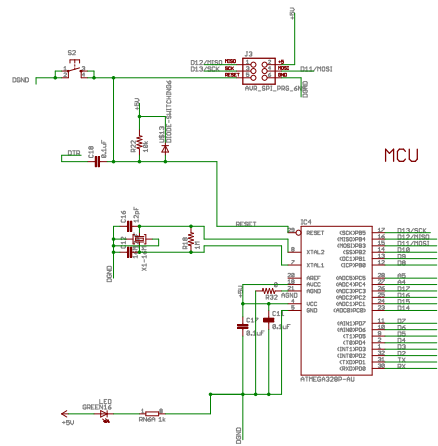
24V to 5V



USB TO UART



OUT



MCU